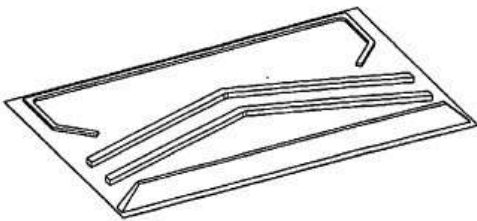


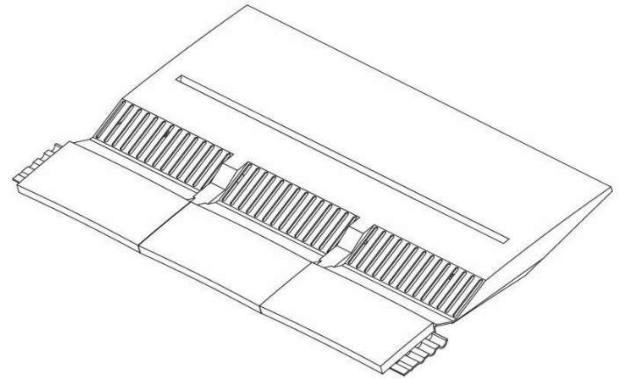


FIXING INSTRUCTIONS

Tileline Tile Vent



Underlay Protector

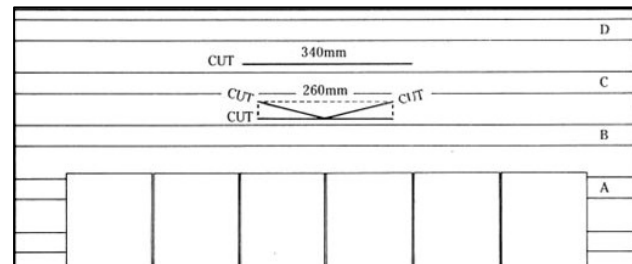


(Reduced throat depth)

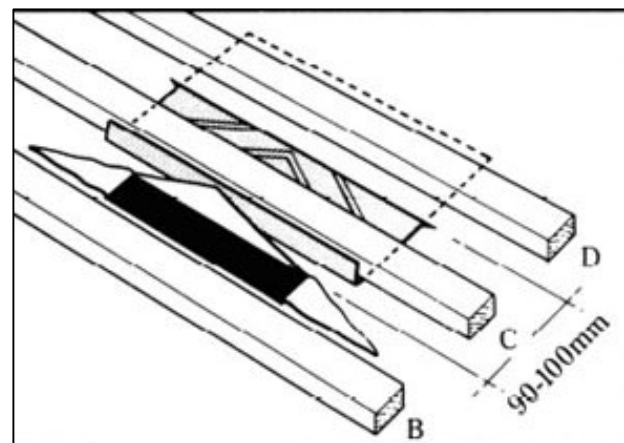
For use when ventilating a pitched warm roof construction, where there is a ventilated air path to be maintained between the roofing underlay and the insulation and the insulation is following the pitch of the rafter.

THIS VENT IS NOT SUITABLE FOR SOIL VENT PIPE OR MECHANICAL EXTRACT.

1. Felt, batten and tile the roof in the normal manner.
2. At the position the ventilator is required, locate the throat between two tile battens, remove and cut through the underlay as shown.

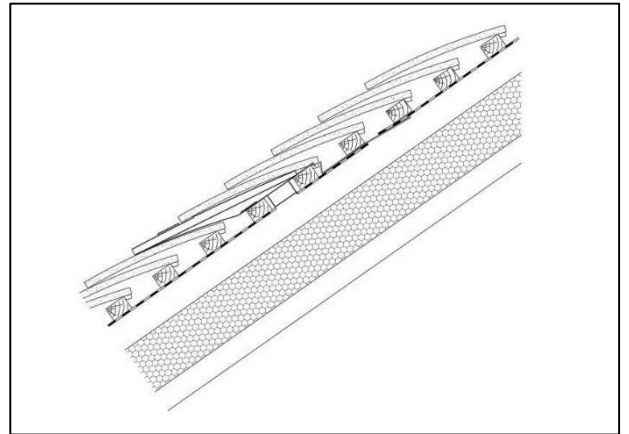


3. Fold the three flaps upwards and outwards to provide the hole for the ventilator throat.
4. Make a second horizontal cut 340mm wide in the underlay between the next two battens and directly above the opening already created. Slide in the underlay protector unit through the horizontal cut as shown.





5. Insert the ventilator throat through the underlay into the roof space and position ventilator onto surrounding tiles. Fix to tile batten by side flanges with two nails ensuring half bond is maintained. Positive fixing is required to prevent the ventilator lifting.



6. Continue tiling in the normal manner.

NB. Do not use the plain tile ventilator for the exhaust of hot combustible gases.

